

Angle connector clamps

Aluminium

SPECIFICATION

Identification No.

No. **2**: with 2 Stainless Steel-Clamping screws DIN 912

Aluminium

plastic coated

black, RAL 9005, textured finish **SW**

blank

matt shot-blasted **BL**

Socket cap screws DIN 912

Stainless Steel AISI 304

Hexagon nuts DIN 985

Stainless Steel AISI 304

Grub screws DIN 913

Stainless Steel AISI 304



INFORMATION

The clamping bores of the Angle connector clamps GN 196 are specially designed for construction tubes GN 990 (see page 1902) or DIN 2391, DIN 2395 and DIN 2462 respectively.

The standard clamping screws are socket cap screws DIN 912. They can be replaced by adjustable clamping kits GN 911 (see page 1874) (article code see table of dimensions).

ACCESSORY

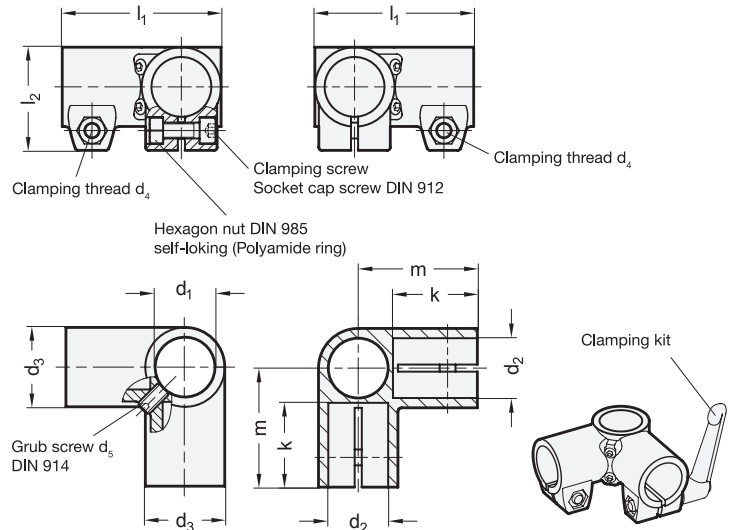
- Clamping kits GN 911 (see page 1874)

ON REQUEST

- d₁ / d₂ with different bores

TECHNICAL INFORMATION

- Stainless Steel characteristics (see page A26)



GN 196

| Description | d ₁ | d ₂ | k Clamping length | d ₃ | d ₄ | d ₅ | m | l ₁ | l ₂ | Clamping kits for d ₄ | ⚖ |
|---------------------|----------------|----------------|-------------------|----------------|----------------|----------------|----|----------------|----------------|----------------------------------|-----|
| GN 196-B20-B20-2-BL | B 20 | B 20 | 40 | 40 | M 8 | M 8 | 60 | 80 | 52 | GN 911-M8-32 | 345 |
| GN 196-B20-B20-2-SW | B 20 | B 20 | 40 | 40 | M 8 | M 8 | 60 | 80 | 52 | GN 911-M8-32 | 345 |
| GN 196-B25-B25-2-BL | B 25 | B 25 | 40 | 40 | M 8 | M 8 | 60 | 80 | 52 | GN 911-M8-32 | 287 |
| GN 196-B25-B25-2-SW | B 25 | B 25 | 40 | 40 | M 8 | M 8 | 60 | 80 | 52 | GN 911-M8-32 | 287 |
| GN 196-B30-B30-2-BL | B 30 | B 30 | 40 | 40 | M 8 | M 8 | 60 | 80 | 52 | GN 911-M8-32 | 216 |
| GN 196-B30-B30-2-SW | B 30 | B 30 | 40 | 40 | M 8 | M 8 | 60 | 80 | 52 | GN 911-M8-32 | 216 |